

iMC4



www.i5com.com

Industrial 4 Port Ethernet to Fiber Ethernet Converter

Features

- ➔ Supports 2 x 10/100Base-T(X) auto-negotiation and auto-MDI/MDI-X
- ➔ Supports Ethernet to Fiber SFP port
- ➔ Supports LFP (Link Fault Pass-through) function
- ➔ Supports full/half duplex operation
- ➔ Supports store and forward transmission
- ➔ Supports Dual Input Power Supplies
- ➔ DIP-Switch to set various functions
- ➔ IP-40 Galvanized Steel Housing
- ➔ Operating Temperature -40°C to +85°C
- ➔ DIN-Rail and wall mount



Introduction

iMC4 is an industrial grade cost-effective solution for the conversion of 2 x 10/100Base-T(X) RJ45 ports to 2 x 100Base-X SFP interface.

iMC4 supports MDI/MDIX auto detection. The iMC4 is a reliable media converter that will operate in the harshest environments.

iMC4 also supports the LFP (Link Fault Pass-through) feature. The DIP-Switch enables the LFP function, enabling the iMC4 to force a link to shutdown immediately when the other link fails, giving the application software a chance to react to the situation.

The iMC4 Series offers a wide operating temperature range from -40°C to +85°C and accepts a wide voltage range from dual 10-48 VDC power inputs, so it is suitable for harsh operating environments.



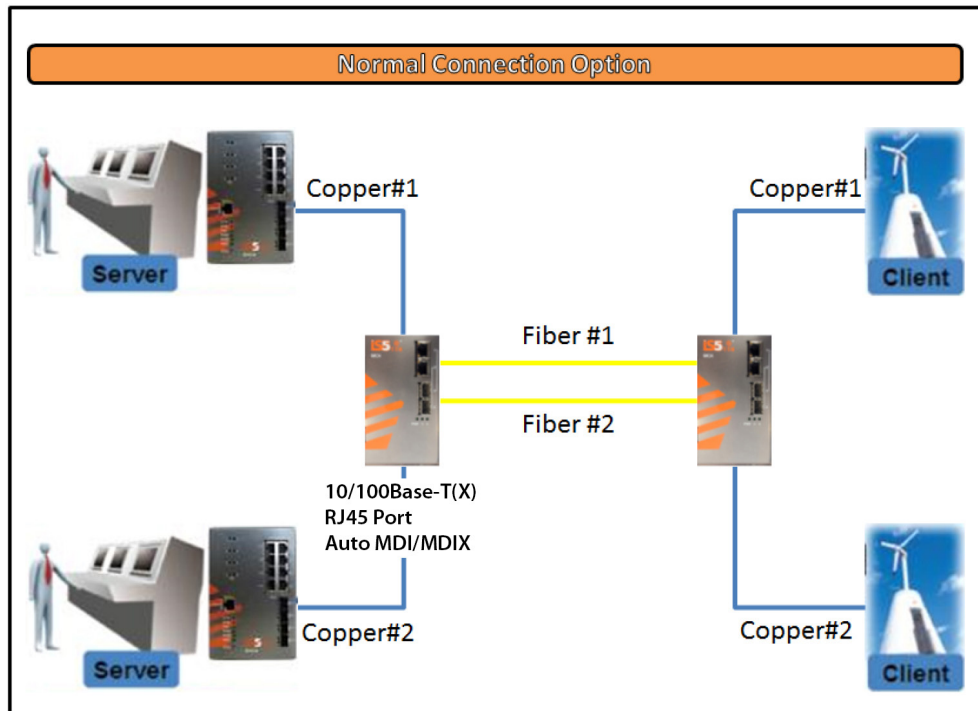
IS5 COMMUNICATIONS

SERVICES • SUPPORT • SECURITY • SOLUTIONS • SYSTEMS

Tel: +905-670-0004
Fax: +289-401-5206
Email: info@i5com.com



#3-7490 Pacific Circle, Mississauga, Ontario, L5T 2A3



Connections of Media Converter

Specifications

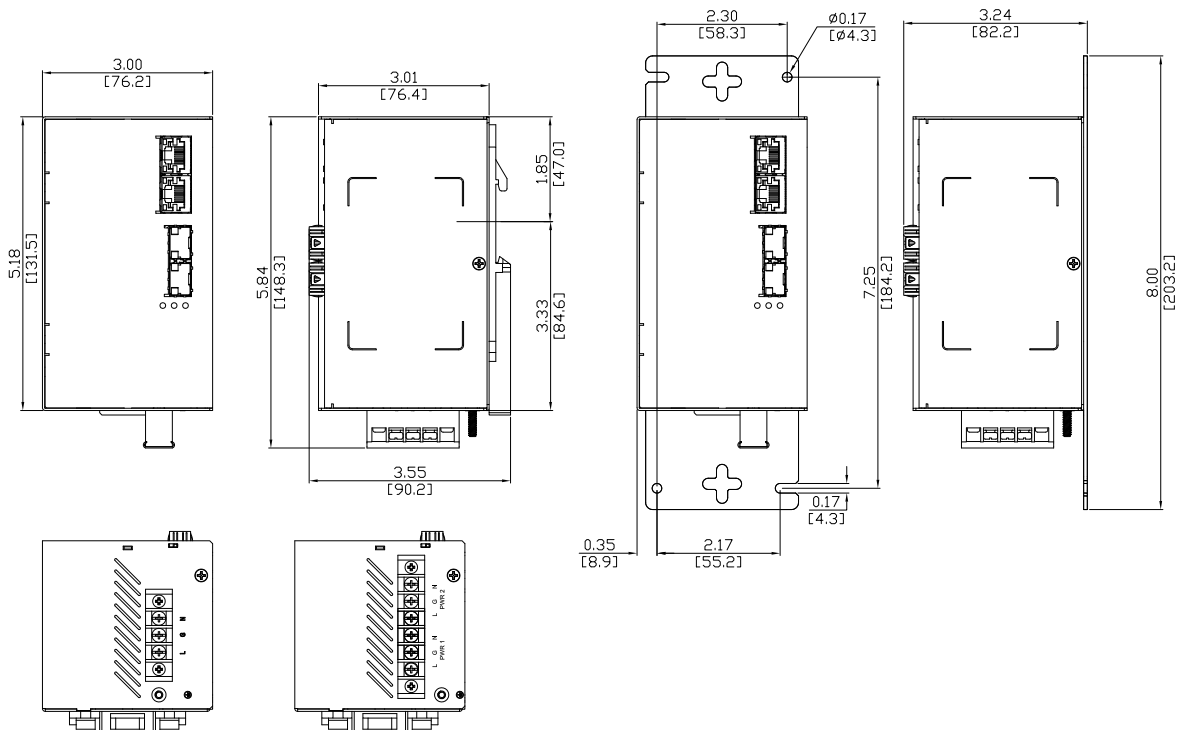
Model Number iMC4	
Physical Ports	
10/100Base-T(X) RJ45 Ports Auto MDI/MDIX	2
100Base-(X) SFP Ports	2
Technology	
Ethernet Standards	IEEE 802.3 for 10Base-T IEEE 802.3u for 100Base-T(X) and 100Base-FX IEEE 802.3x for Flow control
Processing	Store-and-Forward
Power	
Input Power	Dual DC Inputs 10-48VDC, Single Input 36-72VDC with Single 10-48VDC Backup, or Single Input universal supply 88-370VDC or 85-264VAC with a Single 10-48VDC Backup
Power Consumption (Typ.)	5 Watts (include SFPs)
Overload Current Protection	Present
Reverse Polarity Protection	Present on terminal block



Physical Characteristics	
Enclosure	IP-40 Galvanized Steel
Dimension (W x D x H)	76.2 (W) x 90.2 (D) x 131.5 (H)mm (3.0 x 3.55 x 5.18 inches)
Weight (g)	~2000 g
Environmental	
Storage Temperature	-40°C to +85°C (-40°F to +185°F)
Operating Temperature	-40°C to +85°C (-40°F to +185°F) No Fans
Operating Humidity	5% to 95% Non-condensing
Regulatory approvals	
EMI	FCC Part 15, CISPR (EN55022) class A, EN50155 (EN50121-3-2, EN55011, EN50121-4)
EMS	EN61000-4-2 (ESD), EN61000-4-3 (RS), EN61000-4-4 (EFT), EN61000-4-5 (Surge), EN61000-4-6 (CS), EN61000-4-8, EN61000-4-11
Shock	IEC60068-2-27
Free Fall	IEC60068-2-32
Vibration	IEC60068-2-6
Safety	EN60950-1
Warranty	
Warranty	5 Years

Dimensions

All Dimensions are in Inches





Ordering Information

Base	Power Supply	Mount	Ethernet Port 1&2	Ethernet Port 3&4	Description
iMC4	MV	D	2RJ45	2SFP	
iMC4					Core assembly and packaging
					None
	LV				Dual Input (10-48VDC)
	MV				Single Input (36-72VDC) with Single 10-48VDC Backup
	HV				Single Input 88-370VDC or 85-264VAC with Single 10-48VDC Backup
		D			DIN Rail Mounting
		P			Panel Mounting
		N			No Mounting Hardware
			2RJ45		2 X 10/100Base-T(X) RJ45
				2SFP	2 X 100Base-X SFP (Blank no optical transceivers**)

Example Order Code: iMC4-MV-D-2RJ45-2SFP-C1-F3.07

Description: 4 Port Media Converter, (Power Supply) Single Input (36-72VDC) with Single 10-48VDC Backup, DIN Rail Mounting, 2 x 10/100Base-T(X) RJ45 Ports, 2 x 100Base-X SFP Ports, Conformal Coating, Firmware version 3.07

C1 – Add for conformal coating

FW – Leave blank for latest firmware

NOTE: When selecting 2SFP (Blank no optical transceivers) **SFP's to be ordered separately.**

**SFP's to be ordered separately.

SFP Module #	Description
SFP100-MM-05	SFP 100Mbps Multimode LC Transceiver 550m, 850nm, -40°C to +85°C
SFP100-MM-2	SFP 100Mbps Multimode LC Transceiver 2km, 1310nm, -40°C to +85°C
SFP100-SM-10	SFP 100Mbps Singlemode LC Transceiver 10km, 1310nm, -40°C to +85°C
SFP100-SM-30	SFP 100Mbps Singlemode LC Transceiver 30km, 1310nm, -40°C to +85°C
SFP100-SM-60	SFP 100Mbps Singlemode LC Transceiver 60km, 1310nm, -40°C to +85°C
SFP100-SM-100	SFP 100Mbps Singlemode LC Transceiver 100km, 1550nm, -40°C to +85°C
SFP100-SM-120	SFP 100Mbps Singlemode LC Transceiver 120km, 1550nm, -40°C to +85°C
SFP100BIDI1-SM-20	SFP 100Mbps Bi-Directional Singlemode LC Transceiver 20km, TX1310nm, RX1550nm, -40°C to +85°C
SFP100BIDI2-SM-20	SFP 100Mbps Bi-Directional Singlemode LC Transceiver 20km, TX1550nm, RX1310nm, -40°C to +85°C
SFP100BIDI1-SM-40	SFP 100Mbps Bi-Directional Singlemode LC Transceiver 40km, TX1310nm, RX1550nm, -40°C to +85°C
SFP100BIDI2-SM-40	SFP 100Mbps Bi-Directional Singlemode LC Transceiver 40km, TX1550nm, RX1310nm, -40°C to +85°C
SFP100BIDI1-SM-60	SFP 100Mbps Bi-Directional Singlemode LC Transceiver 60km, TX1310nm, RX1550nm, -40°C to +85°C
SFP100BIDI2-SM-60	SFP 100Mbps Bi-Directional Singlemode LC Transceiver 60km, TX1550nm, RX1310nm, -40°C to +85°C