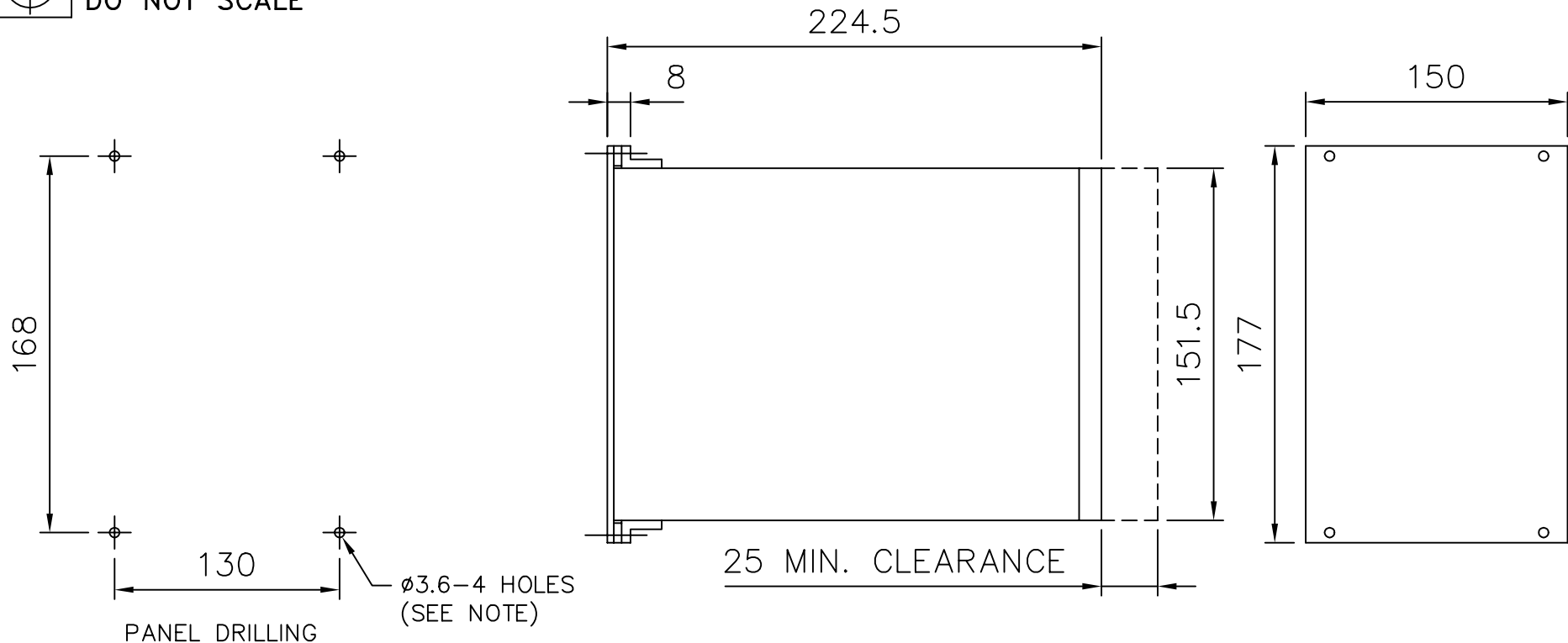


IF IN DOUBT ASK  
DO NOT SCALE



**NOT SUBJECT TO UPDATE  
ONCE COPIED / PRINTED  
OR DOWNLOADED**

NOTE:  
THE Ø3.6 HOLES ARE FOR M4 THREAD FORMING (TRILOBULAR) SCREWS. THESE ARE SUPPLIED AS STANDARD AND ARE SUITABLE FOR USE IN FERROUS/ALUMINIUM PANELS 1.6mm THICK AND ABOVE. FOR OTHER PANELS, HOLES TO BE M4 CLEARANCE (TYPICALLY Ø4.5) AND RELAYS MOUNTED USING M4 MACHINE SCREWS, NUTS AND LOCKWASHERS (SUPPLIED IN PANEL FIXING KIT).

MATERIAL:

Copyright © 1999 Reyrolle Ltd. Hebburn

1	10/12/99	CHANGE
ISSUE	DATE	NOTED

Dimensions in millimetres : Surface texture in micrometres. Machine where marked ✓ For explanation of dimensions, tolerances, notes etc. see B.S.308. Limit on untoleranced unmachined dimensions ± _____ Limits on untoleranced machined dimensions to B.S.4500; i.e. up to 6±0.1; over 30 to 120±0.3; over 315±0.8; over 6 to 30±0.2; over 120 to 315±0.5; General unmachined angular tolerance ± _____	Finish:	Title. <b>OVERALL DIMENSIONS AND PANEL DRILLING FOR BACK OF PANEL EPSILON E6 CASE.</b>	First used on:									
	Treatment:		<b>VA TECH Reyrolle AUTOMATION, CONTROL &amp; PROTECTION</b>	Similar Articles: Supersedes: Drg.No. <b>2995X10106</b>								
DRAWN: M GREEN	CHECKED:	APPROVED: R.D.WATSON	DATE: 11/07/02	I.E.	OPS.	PCP.	Purch. Spec.	TQ.	EAC	CE.	STD.	A4h