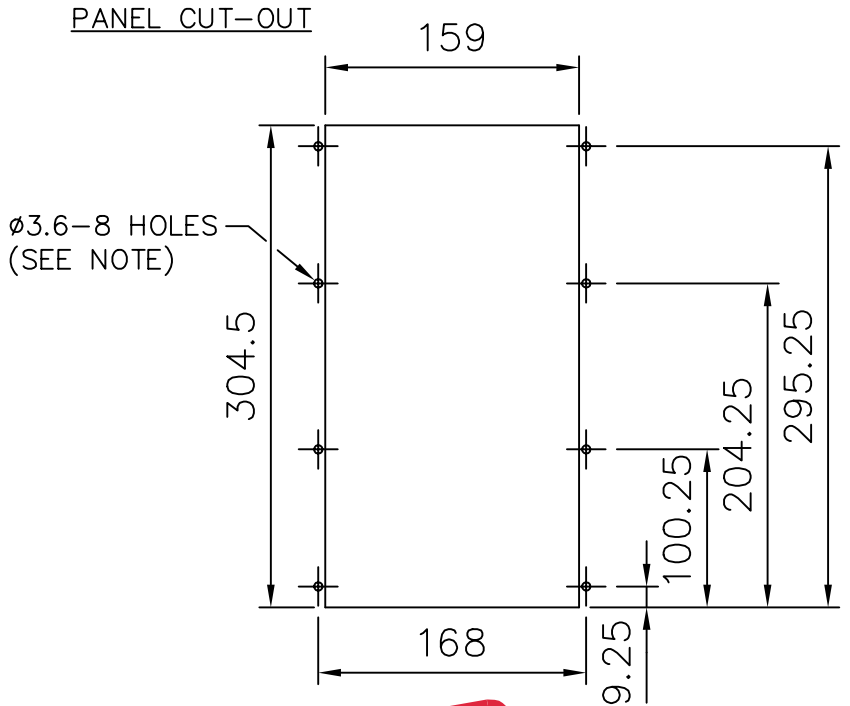
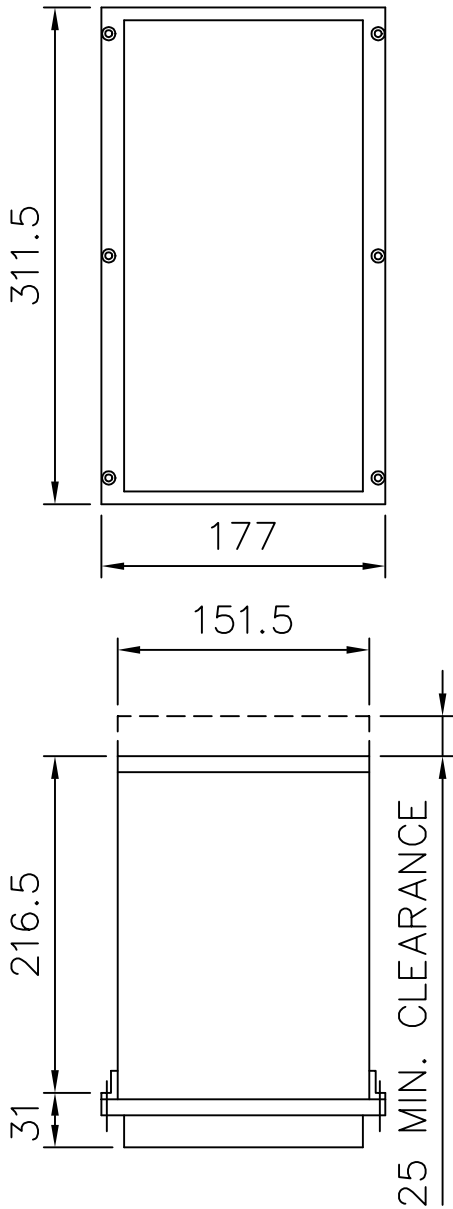


2995X10013



**NOT SUBJECT TO UPDATE
ONCE COPIED / PRINTED
OR DOWNLOADED**

NOTE:
THE $\phi 3.6$ HOLES ARE FOR M4 THREAD FORMING (TRILOBULAR) SCREWS. THESE ARE SUPPLIED AS STANDARD AND ARE SUITABLE FOR USE IN FERROUS/ALUMINIUM PANELS 1.6mm THICK AND ABOVE. FOR OTHER PANELS, HOLES TO BE M4 CLEARANCE (TYPICALLY $\phi 4.5$) AND RELAYS MOUNTED USING M4 MACHINE SCREWS, NUTS AND LOCKWASHERS (SUPPLIED IN PANEL FIXING KIT).

Copyright © 2000 VA TECH Reyrolle Ltd. Hebburn

| | | | | | | |
|----------------|---------|----------|--|----------------|------------------------------|------------|
| 1 | 22/3/00 | MOD.No. | Title. | | First used on: | |
| | | | OVERALL DIMENSIONS AND PANEL DRILLING FOR VERTICAL, SIZE 12 EPSILON CASE | | Similar Articles: 2995X10012 | |
| ISSUE | DATE | MOD.No. | VA TECH Reyrolle | | Original Scale. | Drq.No. |
| | | | AUTOMATION, CONTROL & PROTECTION | | NTS | 2995X10013 |
| DRAWN: M GREEN | | CHECKED: | APPROVED: R.D.WATSON | DATE: 11/07/02 | IE: | OPS: |