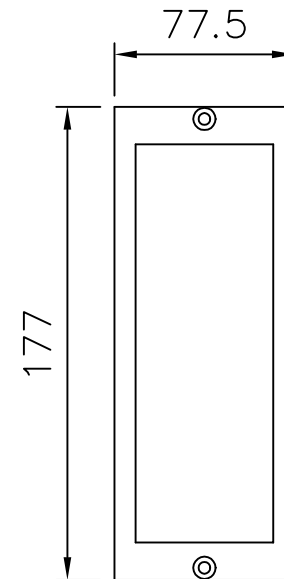
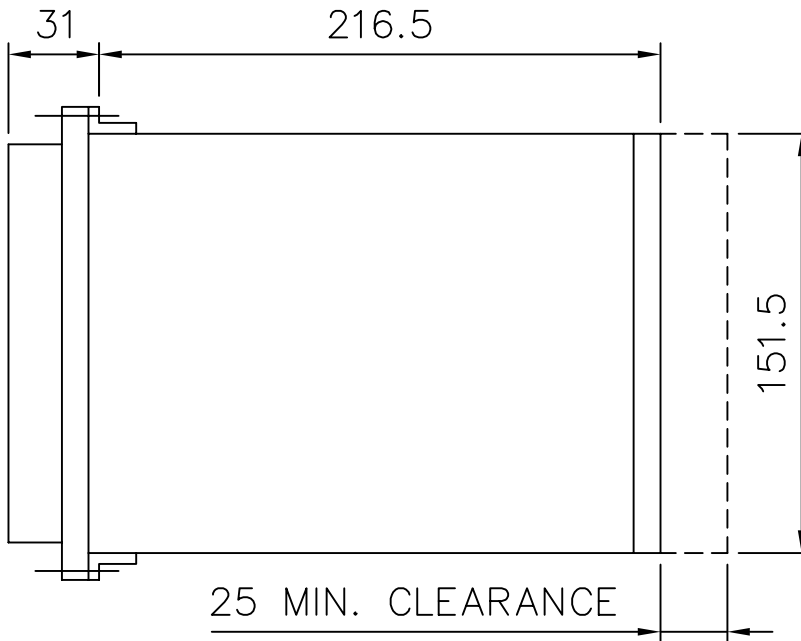
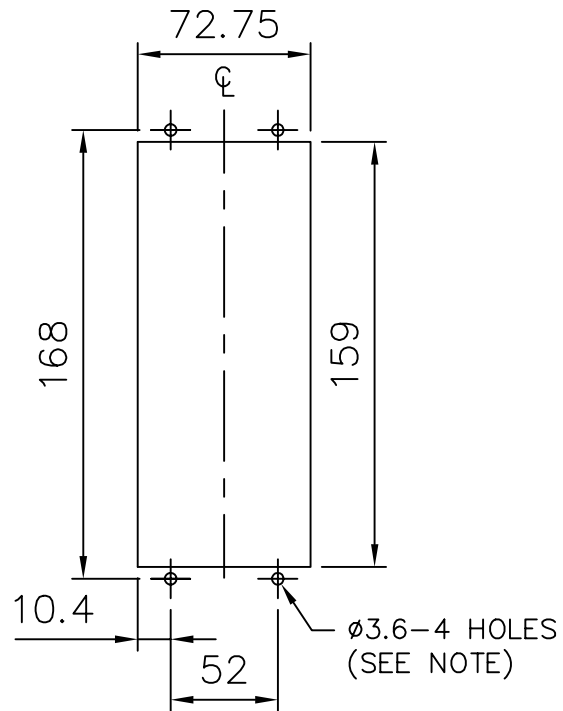


IF IN DOUBT ASK
DO NOT SCALE



PANEL CUT-OUT

DRAWING OFFICE ONLY NOTE

ANY CHANGE TO THIS DRG MUST BE REFLECTED ON DRG 2995X10017 & CATALOGUE

NOT SUBJECT TO UPDATE
ONCE COPIED / PRINTED
OR DOWNLOADED

NOTE:

THE $\phi 3.6$ HOLES ARE FOR M4 THREAD FORMING (TRILOBULAR) SCREWS. THESE ARE SUPPLIED AS STANDARD AND ARE SUITABLE FOR USE IN FERROUS/ALUMINIUM PANELS 1.6mm THICK AND ABOVE. FOR OTHER PANELS, HOLES TO BE M4 CLEARANCE (TYPICALLY $\phi 4.5$) AND RELAYS MOUNTED USING M4 MACHINE SCREWS, NUTS AND LOCKWASHERS (SUPPLIED IN PANEL FIXING KIT).

Copyright © 1999 Reyrolle Ltd.

2	30/7/01	MN995/2125
1	09/07/99	CHANGE
ISSUE	DATE	NOTED

MATERIAL:

Dimensions in millimetres : Surface texture in micrometres. Machine where marked <input checked="" type="checkbox"/> For explanation of dimensions, tolerances, notes etc. see B.S.308. Limit on untoleranced unmachined dimensions \pm _____ Limits on untoleranced machined dimensions to B.S.4500; i.e. up to 6 ± 0.1 ; over 30 to 120 ± 0.3 ; over 315 ± 0.8 ; over 6 to 30 ± 0.2 ; over 120 to 315 ± 0.5 ; General unmachined angular tolerance \pm _____	Finish:	Title: OVERALL DIMENSIONS AND PANEL DRILLING FOR EPSILON E3 CASE.	First used on:
	Treatment:		Original Scale:
		Reyrolle Protection Hebburn.	Supersedes:
		NTS	Drg.No. 2995X10003
DRAWN: T.CARR	CHECKED:	APPROVED: R.D.WATSON	DATE: 11/07/02 I.E. OPS. PCP. Purch. Spec. TQ. EAC CE. STD. A4h