

Features

- Low burden
- Monitors CB in both open & closed condition
- Contacts picked up for healthy supply condition contacts
- Slug time delay
- Hand reset flag indicator
- 2 C/O contacts standard
- Draw out case
- Equivalent function to MVAX31

Application

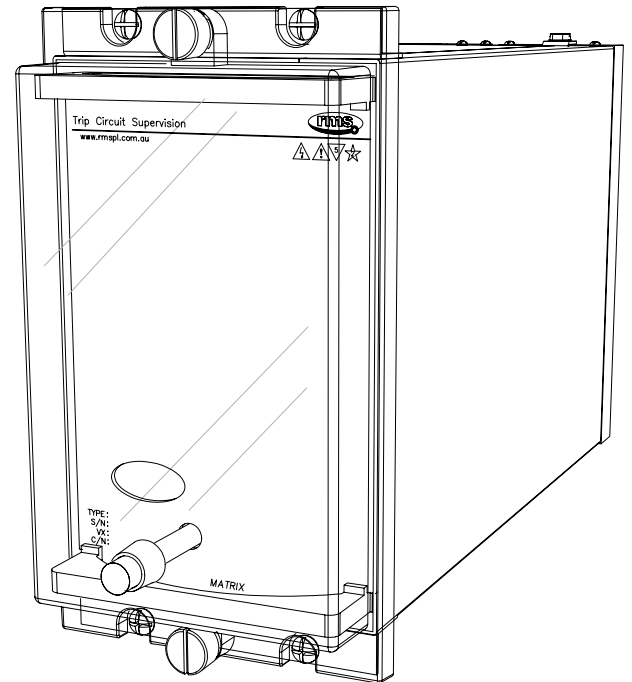
The operating element for the 6R MATRIX supervision relay functional elements are designated 6RX & are based on our 6R Series relays.

The operating element of the 6RX31 comprises three 6R heavy duty attracted armature relays as shown below.

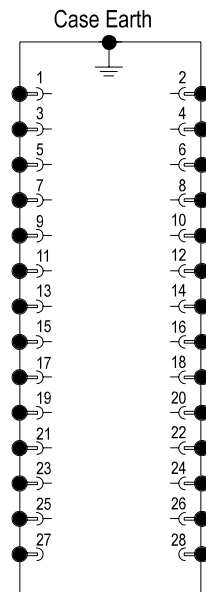
Supervision is active with the circuit breaker in the open or closed position via the "a & b" CB auxiliary contacts.

Under healthy conditions, with the CB in the closed position, relay 1 & 2 are energized & if the trip coil becomes open circuited or the supply fails, relay 2 will drop out causing alarm relay 1 to drop out & initiate the local visual indicator & output contacts. Similarly, when the CB is in the open position, relays 1, 2 & 3 are energized enabling the relay to detect failure of the trip circuit coil or supply in the same manner as if closed. Once set the alarm relay flag must be hand reset. If the protection trip contact operates relay 1 will drop out after a 300ms (approx.) delay. If the CB auxiliary contact has not opened causing relay 2 not to pick up within this time delay then alarm relay 3 will drop out.

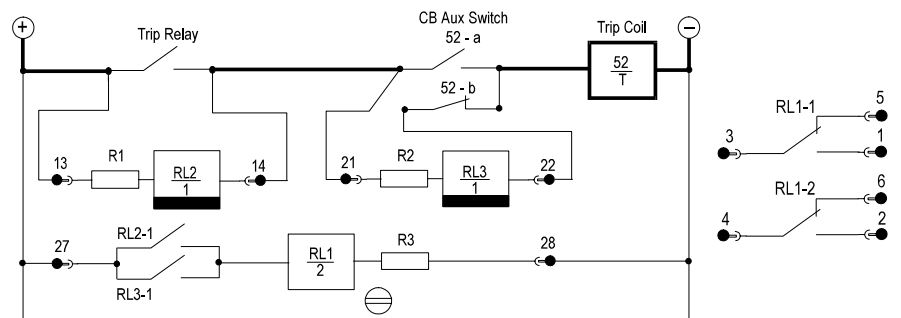
Both relay 2 & 3 elements are fitted with slugs to provide a delay of 300ms (approx.) on de-energisation to prevent false alarms due to voltage dips in the supply rail, or the normal delays in the tripping operation. If the protection trip contact should fail to reset, due to a failure of the circuit breaker tripping mechanism for example, the relay drops out initiating the local visual alarm indicator & output contacts.



4M28 draw out case



Case terminations (REAR VIEW)



Contacts shown with CB Open & circuit de-energised. Thick lines identify monitored circuits. 52b contact may be replaced with a link.

TRIP SUPPLY BURDEN

<2.5 Watts per coil & resistor circuit (5 Watts maximum)

THERMAL RATING

All operate & reset circuits are designed to withstand continuous application of 120% of nominal voltage

FLAG OPERATION

Each relay element is supplied with a flag (target) indicator. The indicator consists of a high visibility solid dayglow orange mechanical flag.

Operation: Drops on coil de-energisation.
Reset: Hand reset.

OPERATING VOLTAGE RANGE

Guaranteed operation between 65% & 120% of nominal rated operating voltage.

NOMINAL OPERATING VOLTAGES

24, 32, 48, 110, 125 & 250V DC available.

CASE SIZE

2M28 draw out case

CONTACTS

2 C/O standard
Up to 6 M or B contacts - user to specify combination of make & break contacts

INSULATION WITHSTAND in accordance with IEC 255-5:

2KV RMS & 1.2/50 5KV impulse between:

- ◆ all terminals & frame
- ◆ each contact group
- ◆ all contacts & coil

Ordering Codes

Generate the required ordering code as follows:
e.g. 6RX31-D

6RX31 1

1 NOMINAL OPERATE VOLTAGE

- | | |
|----------|-----------|
| A 24V DC | D 110V DC |
| B 32V DC | E 125V DC |
| C 48V DC | F 250V DC |

6R RELAY CONTACT RATINGS

Make & Carry Continuously

3,000 VA AC resistive with maximums of 660V & 12A
3,000 W DC resistive with maximums of 660V & 12A

Make & Carry for 3 Seconds

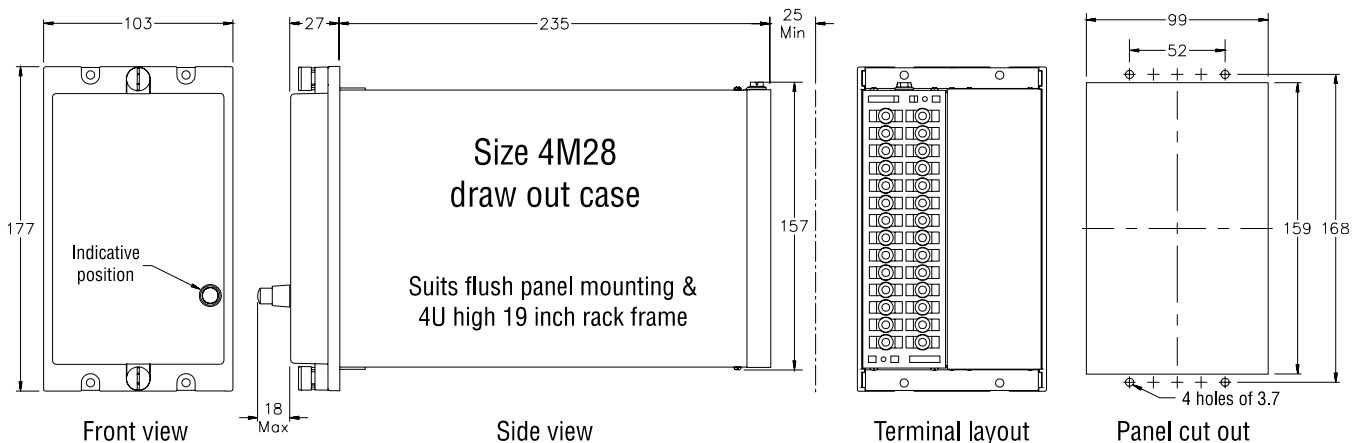
7,500 VA AC resistive with maximums of 660V & 30A
7,500 W DC resistive with maximums of 660V & 30A

AC Break Capacity

3,000 VA AC resistive with maximums of 660V & 12A

DC Break Capacity (Amps)

Voltage	24V	48V	125V	250V
Resistive rating	12	2	0.5	0.25
L/R=40ms Maximum break	12	1	0.25	0.15



Australian Content

Unless otherwise stated the product(s) quoted are manufactured by RMS at our production facility in Melbourne Australia. Approximately 60% of our sales volume is derived from equipment manufactured in house with a local content close to 90%. Imported components such as semi-conductors are sourced from local suppliers & preference is given for reasonable stock holding to support our build requirements.

Quality Assurance

RMS holds NCSI (NATA Certification Services International), registration number 6869 for the certification of a quality assurance system to AS/NZS ISO9001-2000. Quality plans for all products involve 100% inspection and testing carried out before despatch. Further details on specific test plans, quality policy & procedures may be found in section A4 of the RMS product catalogue.

Product Packaging

Protection relays are supplied in secure individual packing cardboard boxes with moulded styrene inserts suitable for recycling. Each product & packing box is labeled with the product part number, customer name & order details.

Design References

The products & components produced by RMS are based on many years of field experience since Relays Pty Ltd was formed in 1955. A large population of equipment is in service throughout Australia, New Zealand, South Africa & South East Asia attesting to this fact. Specific product & customer reference sites may be provided on application.

Product Warranty

All utility grade protection & auxiliary relay products, unless otherwise stated, are warranted for a period of 24 months from shipment for materials & labour on a return to factory basis. Repair of products damaged through poor application or circumstances outside the product ratings will be carried out at the customer's expense.

Standard Conditions of Sale

Unless otherwise agreed RMS Standard Terms & Conditions (QF 907) shall apply to all sales. These are available on request or from our web site.



Relay Monitoring Systems Pty Ltd

6 Anzed Court, Mulgrave, Victoria 3170, AUSTRALIA

Tel: 61 3 9561 0266 Fax: 61 3 9561 0277 Email: rms@rmspl.com.au Web: www.rmspl.com.au