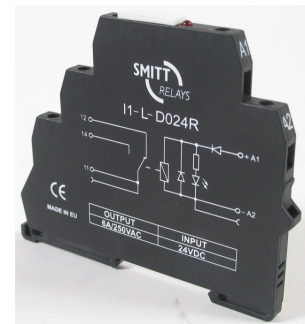


I series Interface Relays

- 1 changeover contact
- 6.2mm wide!
- Standard with LED indicator



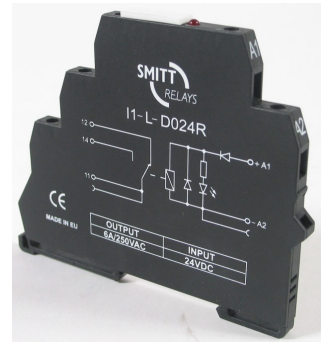
Contacts	
Contact number & arrangement	1C/O
Contact material	AgSnO ₂
Voltage	
Max. switching voltage AC/DC	250 V / 300 V
Min. switching voltage AC/DC	12 V AC/DC
Current	
Rated current	AC1 6 A / 250 V AC DC1 6 A / 24 V DC
Min. current	8 mA / 24 V
Max. inrush current	15 A
Max. Breaking capacity	AC1 1 500 VA
Resistance	≤ 100 mΩ @ 100 mA / 24V
Max. Operating frequency	
▪ At rated load	360 cycles/h
▪ No load	72 000 cycles/h

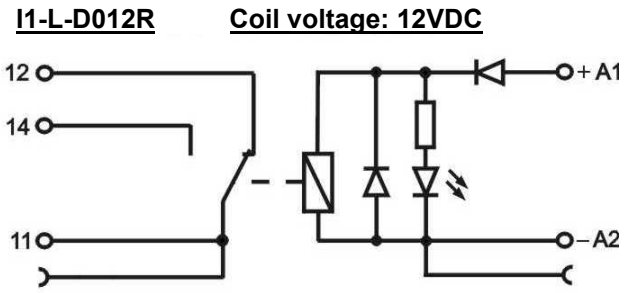
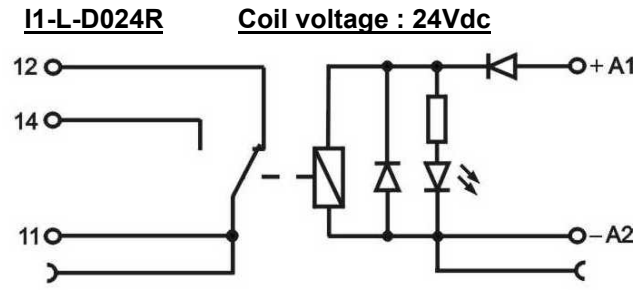
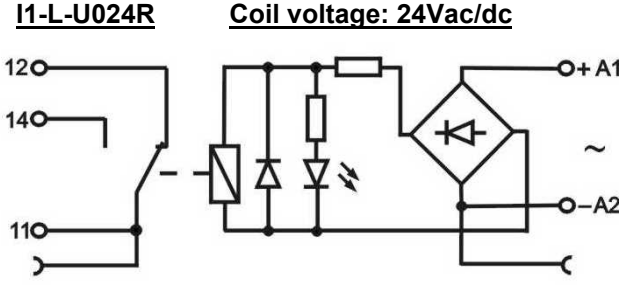
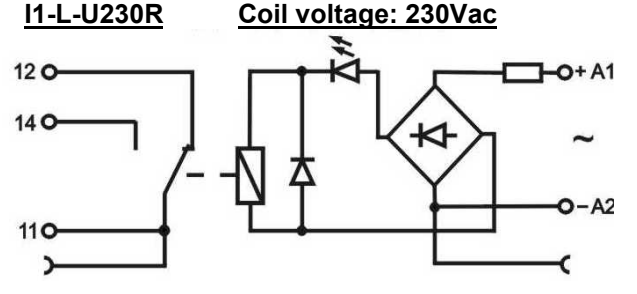
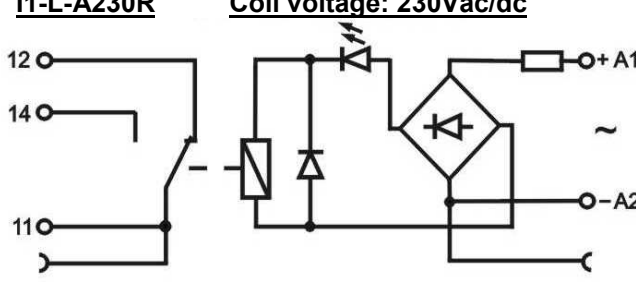
Coil	
Voltage	
Rated voltage, available types	12 VDC, 24 VDC 24 VAC/DC, 230 VAC/DC 230 VAC
Drop out voltage	≥ 0,1 U _N for DC i ≥ 0,2 U _N for AC
Rated power consumptions	0,3...0,6 W for 12/24V 1,8VA @ 230VAC 1W/VA @ 230VAC/DC
Operating time (typ.)	6 ms DC; 7 ms AC
Release time (typ.)	8 ms DC; 15 ms AC

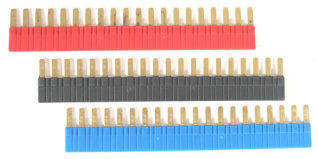
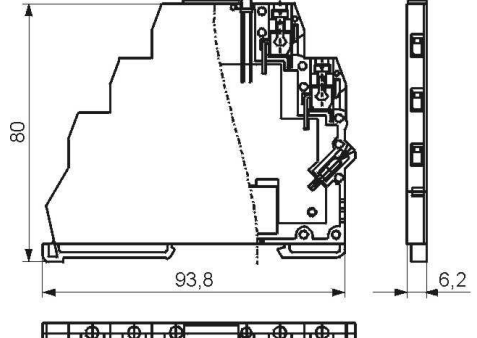
Insulation	
Insulation category	C250
Voltage	
Insulation rated voltage	400 V AC
Dielectric strength:	
▪ coil-contact	4 000 V AC
▪ contact-contact	1 000 V AC

General data	
Electrical life	
At AC1	> 1 x 10 ⁵ at 6 A / 250 VAC
Depend from cos φ	> 0,2 x 10 ⁵ at 2 A / 250 VAC, cos φ 0,4
At DC1	> 1 x 10 ⁵ at 6 A / 30 VDC
Mechanical life	> 2 x 10 ⁷
Dimensions (a × b × h)	80 x 6,2 x 93,8 mm
Weight	Max. 40 g
Ambient Temperature	
▪ Storage	-40 ... +70°C
▪ In operation	-40 ... +55°C (for 12VDC & 24 VDC up to +60°C)
Protection	IP20
Mounting & connections	DIN rail 35 mm EN 50022 Screw connectors for wires up to 4 mm ²

I series Interface Relays



Connection diagrams	
<p>I1-L-D012R Coil voltage: 12VDC</p> 	<p>I1-L-D024R Coil voltage : 24Vdc</p> 
<p>I1-L-U024R Coil voltage: 24Vac/dc</p> 	<p>I1-L-U230R Coil voltage: 230Vac</p> 
<p>I1-L-A230R Coil voltage: 230Vac/dc</p> 	

I-Connect-20 Interconnection strips	Dimensions
<p>Interconnection strips For easy & reliable common connections</p> 	
<p>Maximum load Max. 20 pcs. of I-Series relays or max. 36Amp Available in the colours Red, Blue and Black</p>	