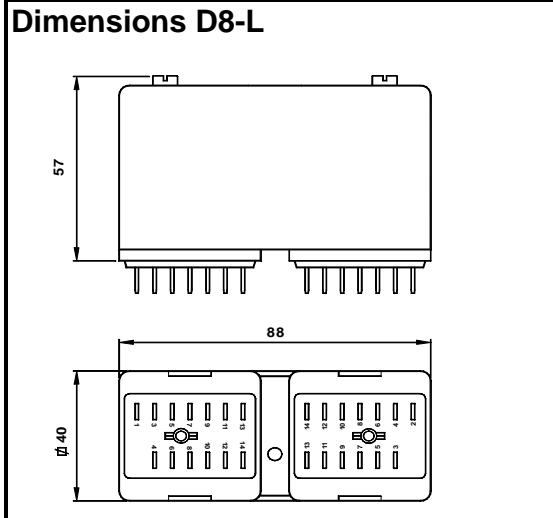



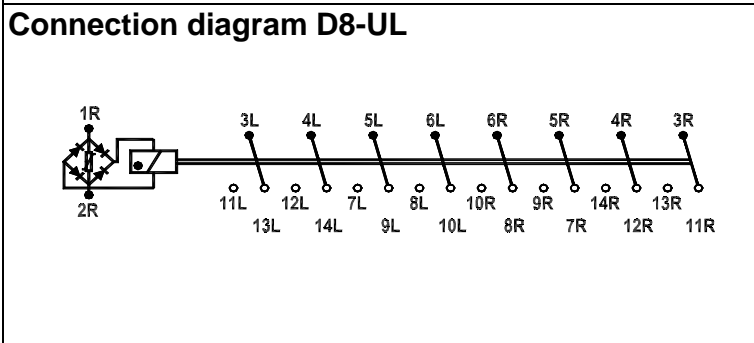
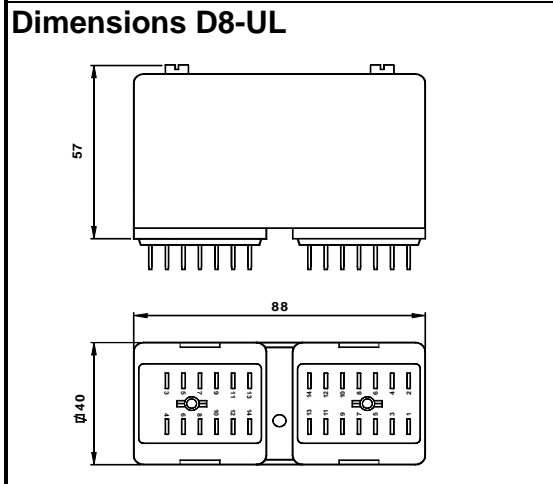
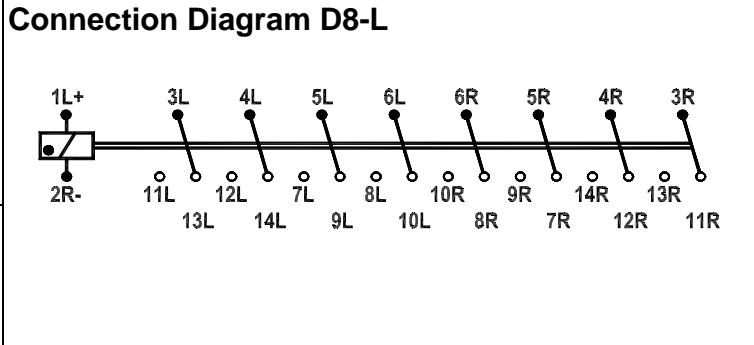
Datasheet INSTANTANEOUS RELAY

Products D8-L
D8-UL

Country of Origin The Netherlands



P.O. Box 7023
3502 KA Utrecht
The Netherlands
T +31 (0)30-288 13 11
F +31 (0)30-289 88 16
E sales@nieaf-smitt.nl
I www.nieaf-smitt.nl

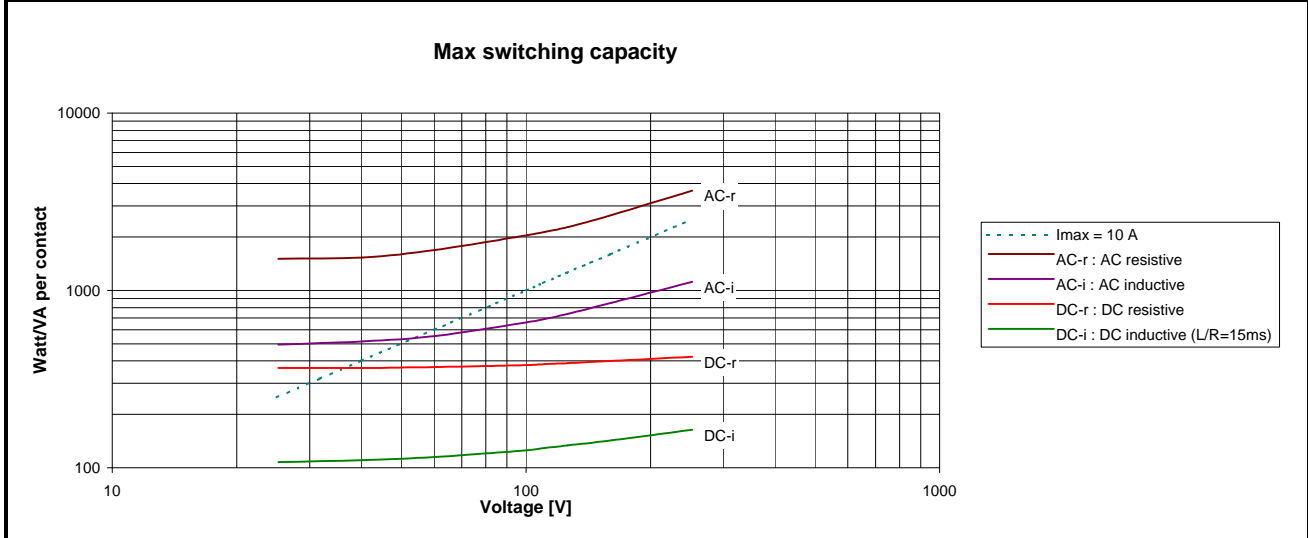
Description
 Plug-in relay with eight change-over contacts.
 Equipped with LED indication.
 Type D8-L is a DC relay.
 Type D8-UL is a DC/ AC relay.

Coil Data

Operating times at nominal voltage

Type D8-L	R _{coil}	Type D8-UL	R _{coil}	
24 - 28 VDC	222 W	24 - 28 VDC/ VAC	222 W	
42 - 48 VDC	680 W	42 - 48 VDC/ VAC	680 W	
60 - 70 VDC	1450 W	60 - 70 VDC/ VAC	1450 W	
100 - 110 VDC	3790 W	100 - 110 VDC/ VAC	3790 W	
220 - 230 VDC	15300 W	220 - 230 VDC/ VAC	15300 W	
380 - 440 VDC	56800 W	380 - 440 VDC/ VAC	56800 W	
Pull-in	17 ms	Pull-in	DC: 17 ms	AC: 18 ms
Drop-out	4 ms	Drop-out	DC: 12 ms	AC: 12 ms
bounce time	5 ms	bounce time	DC: 5 ms	AC: 8 ms
Inductance at U_{nom} L/R =	8 ms	Inductance at U_{nom} L/R =	0 ms	
Coil consumption	2.5 - 3.5 W/ VA at U _{nom}			

Contact data			
Max. Make Current	16 A	Material	Ag
Max. Cont. Current	10 A (AC1; IEC 947)	Contact gap	0.8 mm
Max. Breaking Capacity	D8-L 110 V, 1 A	Insulation between open contacts	2.5 kV, 50 Hz, 1 min
	D8-UL 440 V		
Min. Switching Voltage	12 V		
Max. Contact Resistance	15 mW		
Maximum Switching Capacity			



General Data			
Dielectric strength			
Cont-Coil	Pole-Pole	IEC 255-5/	4 kV, 50 Hz, 1 min
	Cont-Coil		2.5 kV, 50 Hz, 1 min
Insulation Class		IEC 255-5	serie C 380 V 50Hz/450 VDC
Pulse Withstanding		IEC 255-5	5 kV (1.2/50 μs)
Vibration		IEC 68-2-6	5 g at 50 Hz 2 g, 10-150 Hz
Shock		IEC 68-2-27	15 g, 11 ms
Mechanical life			10*10 ⁶ ops
Max. Switching Frequency			1200 ops/h
Weight			330 g
Temperature	T _{amb,max}		+40 °C +55 °C, 1 cm detached Higher T on request
	T _{amb,min}		-25 °C
Humidity			90%, temporary permitted condensation
Protection			IP 50
Materials			Makrolon Polyester
Options	B		Magnetic arc blow-out
	A		Trip indicator
	T		Push to test button
	BA		Magnetic arc blow-out and trip indicator
	R		Fast switching