

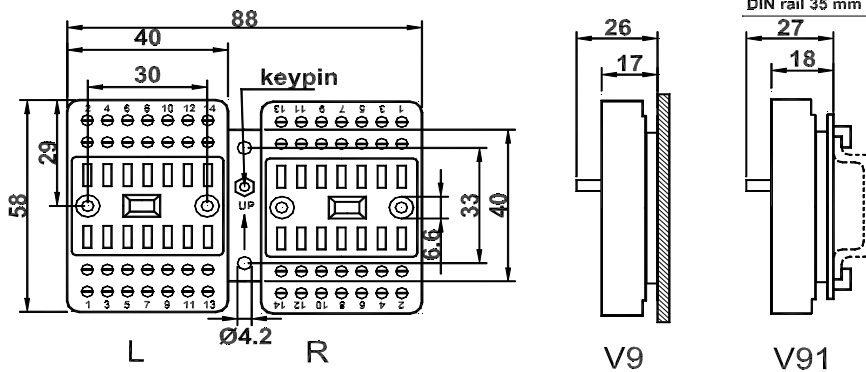
Datasheet

SOCKET

Product	V9/ V91	
Article code	V9	338000900
	V91	338001900

Country of Origin:
The Netherlands

Dimensions



P.O. Box 7023
3502 KA Utrecht
The Netherlands
T +31 (0)30-288 13 11
F +31 (0)30-289 88 16
E sales@nieaf-smitt.nl
I www.nieaf-smitt.nl

Description

Screw base with bush connection for wires up to 2.5 mm² per terminal.
Suitable for KDN, KDN-U, D8 and D8-U relays.

Contactrating	10 A (AC1)	IEC 947
Dielectric strength	2500 V; 50 Hz; 1 min	IEC 255/ IEC 571
Protection category	IP 20	IEC 529
Mounting	V9 panelmounting V91 DIN rail	DIN EN 50022
Max ambient temperature	80 °C	
Weight	V9 168 g V91 212 g	
Wire cross section	1 x 2.5 mm²	
Material	Polyamide 66 6 % glass	